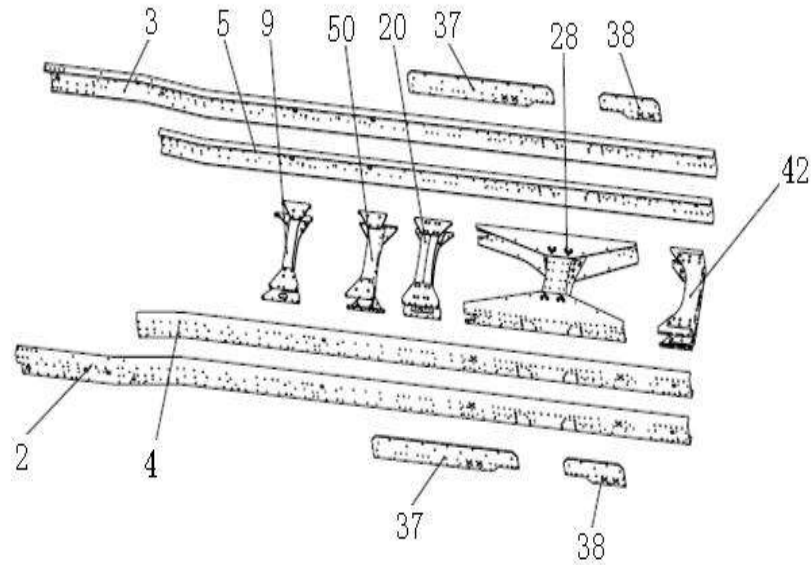


## 9 车架和其它/Chassis Frame Ass and Others

| 序号/ No. | 名 称 / Designation             |       | 页 码 / Page No. |
|---------|-------------------------------|-------|----------------|
| 9,01    | 车架总成/Chassis Frame Ass.       | ----- | 1              |
| 9,02    | 车轮与轮胎/Wheel And Tire          | ----- | 2              |
| 9,03    | 前轮罩及车轮螺栓防护帽/Front Wheel Cover | ----- | 3              |
| 9,04    | 非半挂牵引车的牵引钩/Towing Hook        | ----- | 4              |
| 9,05    | 减震尾灯支架总成/Tailight Bracket     | ----- | 5              |

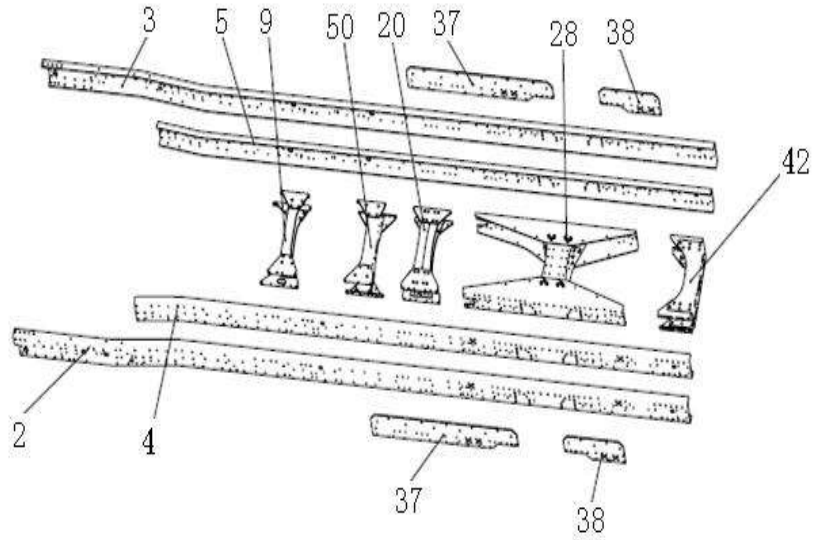
HOKA/K36/6X4车架总成（前宽1000/后宽850/8+8）（11版）/Chassis Frame A



HOKA/K36/6X4车架总成（前宽1000/后宽850/8+8）（11版）/Chassis Frame A

| 序号  | 零部件图号        | 名称          | Part Name            | 数量  | 备注     |
|-----|--------------|-------------|----------------------|-----|--------|
| No. | Part No.     |             |                      | Qty | Remark |
| 1   | AZ9326513620 | 车架总成        | Chassis frame ass.   | 1   |        |
| 2   | AZ9326513621 | 车架左纵梁       | Left longeron        | 1   |        |
| 3   | AZ9326513622 | 车架右纵梁       | Right longeron       | 1   |        |
| 4   | AZ9326513623 | 车架左加强梁      | Left auxiliary beam  | 1   |        |
| 5   | AZ9326513624 | 车架右加强梁      | Right auxiliary beam | 1   |        |
| 6   | Q4501236     | 半圆头铆钉       | Rivet                | 4   |        |
| 9   | WG9125510235 | 横梁总成        | Cross member         | 1   |        |
| 15  | Q4501232     | 半圆头铆钉       | Rivet                | 16  |        |
| 16  | Q150B1645TF2 | 六角头螺栓       | Screw                | 3   |        |
| 17  | Q33216T13F2  | 2型全金属六角螺母   | Nut                  | 3   |        |
| 18  | Q150B1240TF2 | 六角头螺栓       | Screw                | 1   |        |
| 19  | Q33212T13F2  | 2型全金属六角锁紧螺母 | Nut                  | 1   |        |
| 20  | WG9325510093 | 横梁总成        | Cross member         | 1   |        |
| 21  | AZ9625510816 | 横梁          | Cross member         | 2   |        |
| 22  | AZ9625510817 | 横梁上连接板      | Upper plate          | 2   |        |
| 23  | AZ9625510818 | 横梁下连接板      | Lower plate          | 2   |        |
| 24  | Q4501230     | 半圆头铆钉       | Rivet                | 36  |        |
| 25  | Q4501242     | 半圆头铆钉       | Rivet                | 12  |        |
| 26  | WG9100510104 | 六角头螺栓       | Screw                | 4   |        |
| 27  | Q33212T13F2  | 2型全金属六角锁紧螺母 | Nut                  | 4   |        |

HOKA/K36/6X4车架总成（前宽1000/后宽850/8+8）（11版）/Chassis Frame A



HOKA/K36/6X4车架总成（前宽1000/后宽850/8+8）（11版）/Chassis Frame A

| 序号  | 零部件图号        | 名称            | Part Name               | 数量  | 备注     |
|-----|--------------|---------------|-------------------------|-----|--------|
| No. | Part No.     |               |                         | Qty | Remark |
| 28  | WG9725516006 | 横梁总成(850/8+8) | Cross member            | 1   |        |
| 37  | WG9125510473 | 前支撑板          | Front support plate     | 2   |        |
| 38  | WG9625510476 | 后支撑板          | Rear support plate      | 2   |        |
| 40  | Q4501252     | 半圆头铆钉         | Rivet                   | 26  |        |
| 41  | Q4501244     | 半圆头铆钉         | Rivet                   | 8   |        |
| 42  | WG9731513280 | 后横梁总成         | Cross member ass. -rear | 1   |        |
| 46  | AZ9625510912 | 加强板           | Plate                   | 1   |        |
| 47  | Q4501232     | 半圆头铆钉         | Rivet                   | 24  |        |
| 48  | Q150B1645TF2 | 六角头螺栓         | Screw                   | 20  |        |
| 49  | Q33216T13F2  | 2型全金属六角螺母     | Nut                     | 20  |        |
| 56  | Q4501230     | 半圆头铆钉         | Rivet                   | 16  |        |
| 57  | Q4501242     | 半圆头铆钉         | Rivet                   | 10  |        |
| 58  | Q150B1240TF2 | 六角头螺栓         | Screw                   | 4   |        |
| 59  | Q33212T13F2  | 2型全金属六角锁紧螺母   | Nut                     | 4   |        |
|     |              |               |                         |     |        |
|     |              |               |                         |     |        |
|     |              |               |                         |     |        |
|     |              |               |                         |     |        |
|     |              |               |                         |     |        |
|     |              |               |                         |     |        |
|     |              |               |                         |     |        |

9.02 车轮与轮胎/Wheel And Tire









